

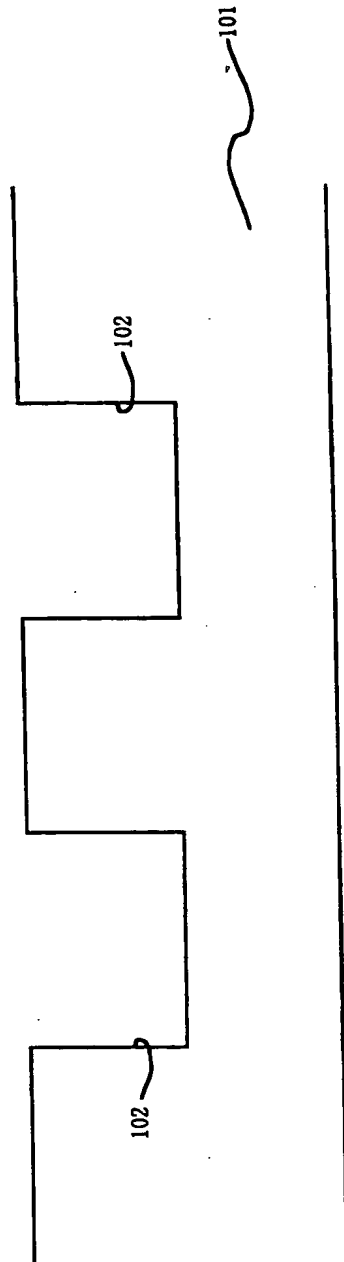
WIRING STRUCTURE OF SEMICONDUCTOR DEVICE AND METHOD
OF MANUFACTURING THE SAME

Application No. [NEW] - Attorney Docket No. OKI.612

Inventor: Kazuhide ABE

F-03ED0103

FIG. 1



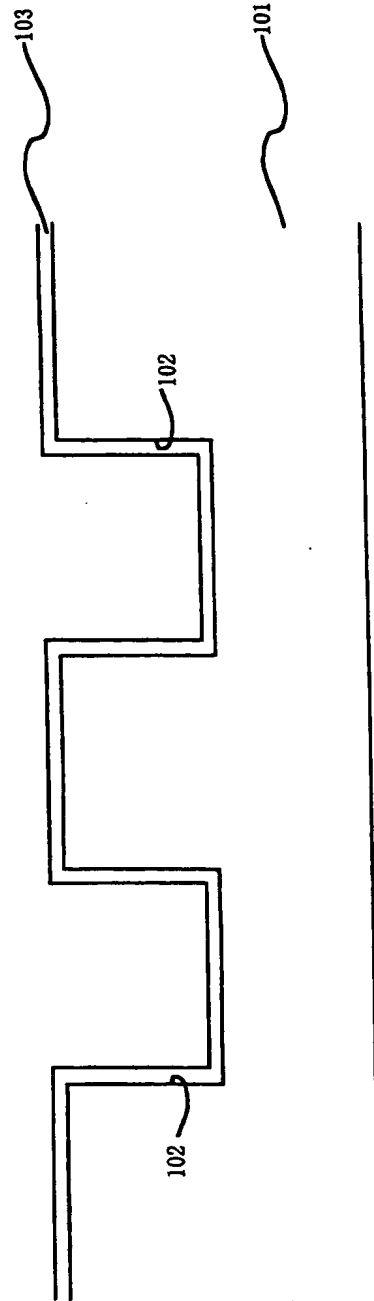
WIRING STRUCTURE OF SEMICONDUCTOR DEVICE AND METHOD
OF MANUFACTURING THE SAME

Application No. [NEW] - Attorney Docket No. OKI.612

Inventor: Kazuhide ABE

F-03ED0103

FIG. 2



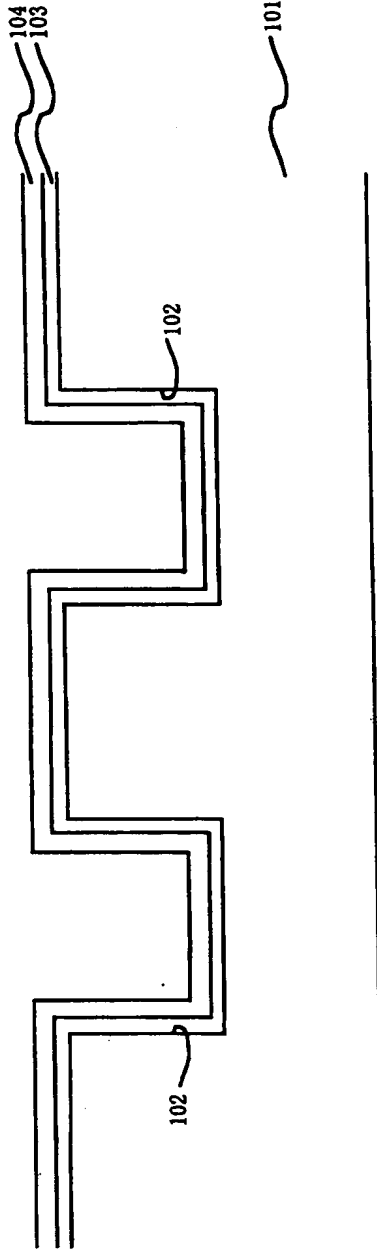
WIRING STRUCTURE OF SEMICONDUCTOR DEVICE AND METHOD
OF MANUFACTURING THE SAME

Application No. [NEW] - Attorney Docket No. OKI.612

Inventor: Kazuhide ABE

F-03ED0103

FIG. 3



WIRING STRUCTURE OF SEMICONDUCTOR DEVICE AND METHOD
OF MANUFACTURING THE SAME

Application No. [NEW] - Attorney Docket No. OKI.612

Inventor: Kazuhide ABE

F-03ED0103

FIG. 4

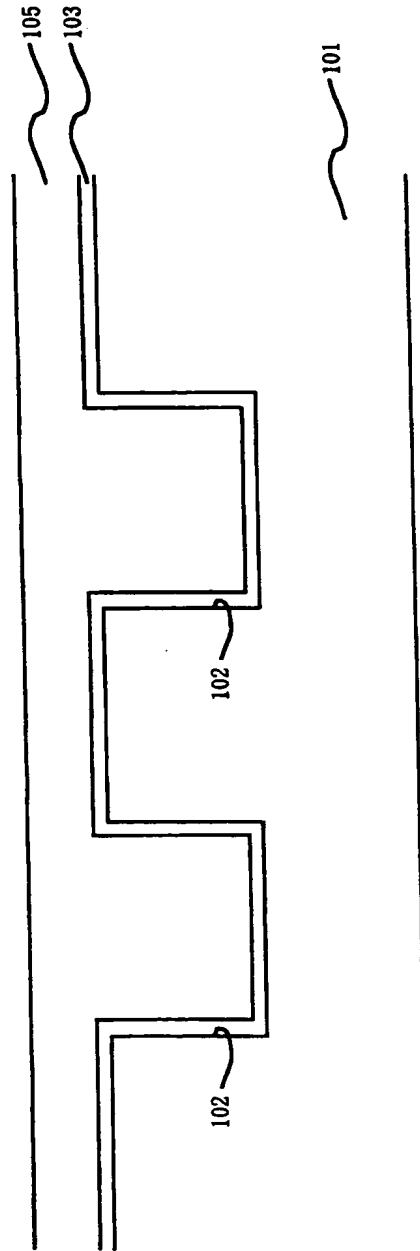


FIG. 5

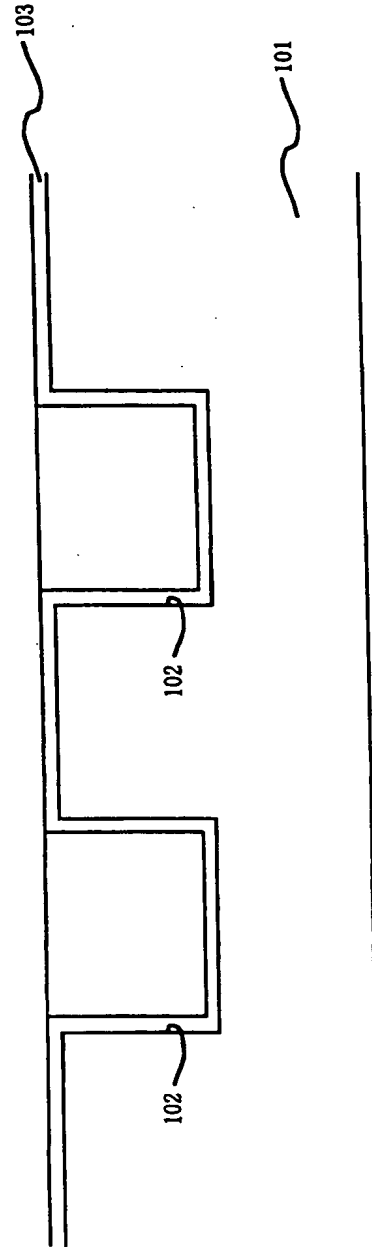


FIG. 6

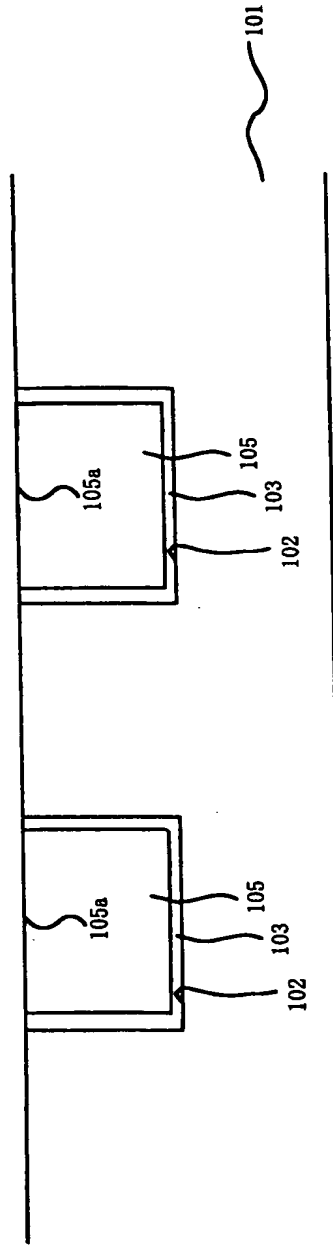


FIG. 7

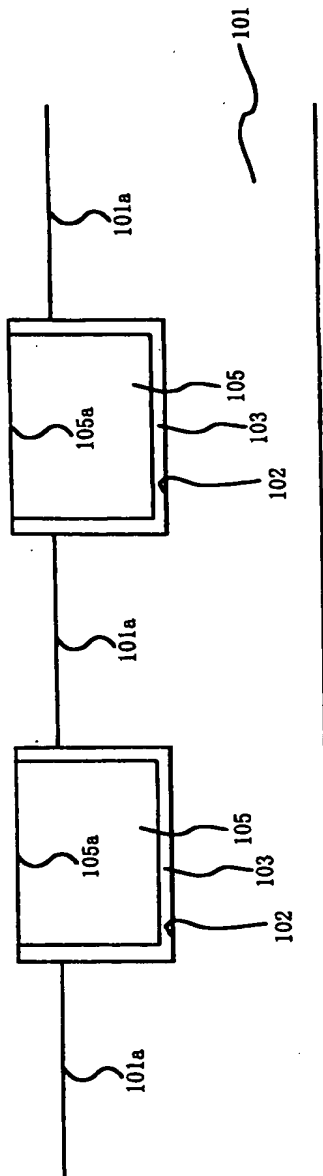
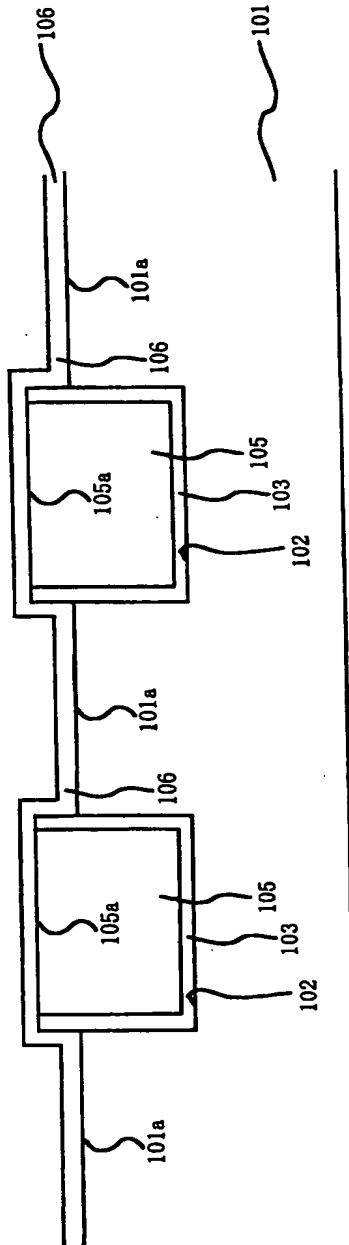


FIG. 8



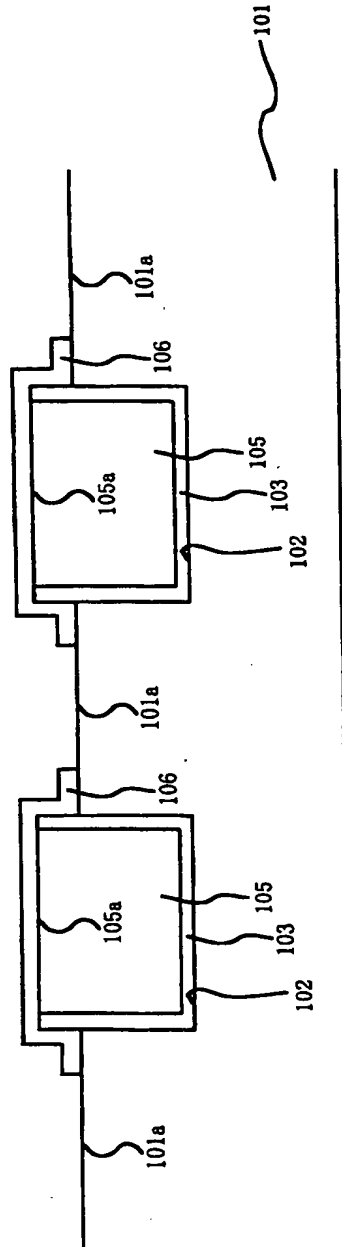
WIRING STRUCTURE OF SEMICONDUCTOR DEVICE AND METHOD
OF MANUFACTURING THE SAME

Application No. [NEW] - Attorney Docket No. OKI.612

Inventor: Kazuhide ABE

F-03ED0103

FIG. 9



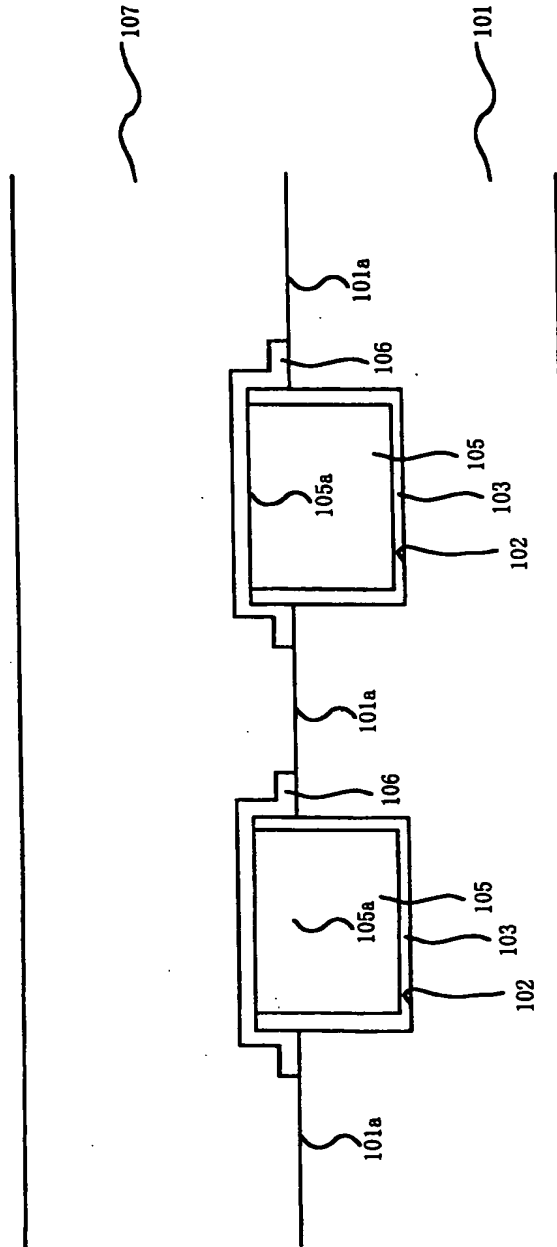
WIRING STRUCTURE OF SEMICONDUCTOR DEVICE AND METHOD
OF MANUFACTURING THE SAME

Application No. [NEW] - Attorney Docket No. OKI.612

Inventor: Kazuhide ABE

F-03ED0103

FIG. 10



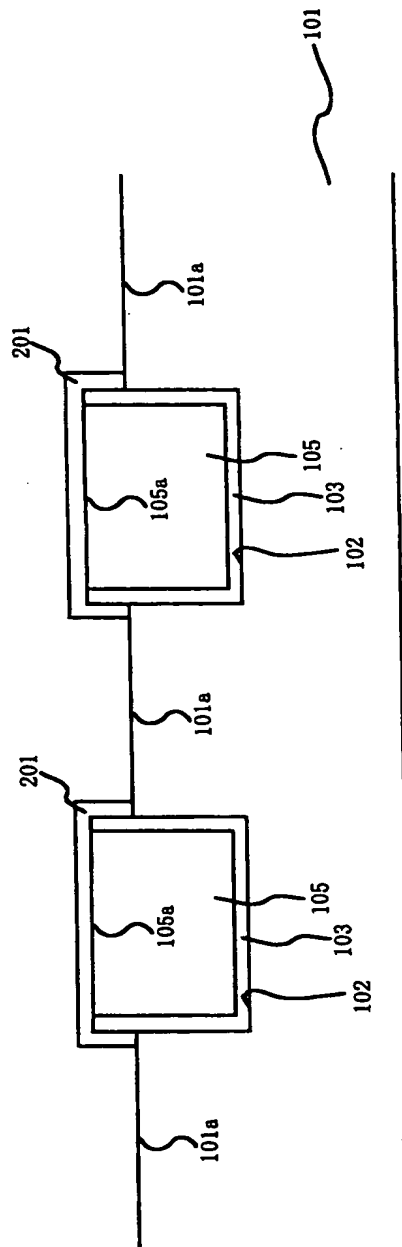
WIRING STRUCTURE OF SEMICONDUCTOR DEVICE AND METHOD
OF MANUFACTURING THE SAME

Application No. [NEW] - Attorney Docket No. OKI.612

Inventor: Kazuhide ABE

F-03ED0103

FIG. 11



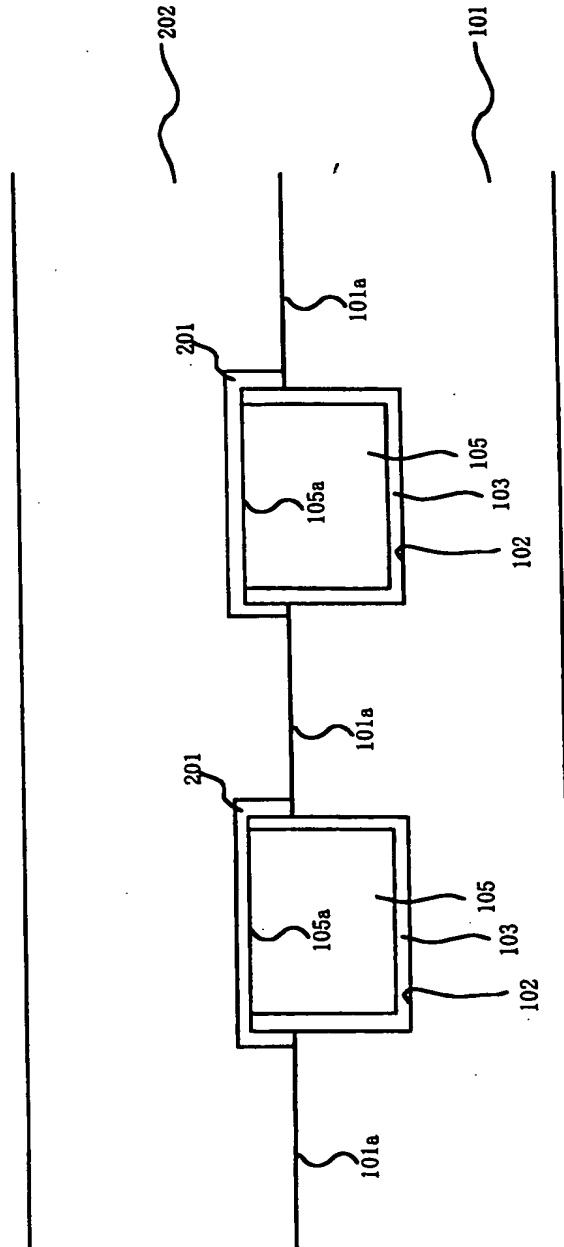
WIRING STRUCTURE OF SEMICONDUCTOR DEVICE AND METHOD
OF MANUFACTURING THE SAME

Application No. [NEW] - Attorney Docket No. OKI.612

Inventor: Kazuhide ABE

F-03ED0103

FIG. 12



WIRING STRUCTURE OF SEMICONDUCTOR DEVICE AND METHOD
OF MANUFACTURING THE SAME

Application No. [NEW] - Attorney Docket No. OKI.612

Inventor: Kazuhide ABE

F-03ED0103

FIG. 13

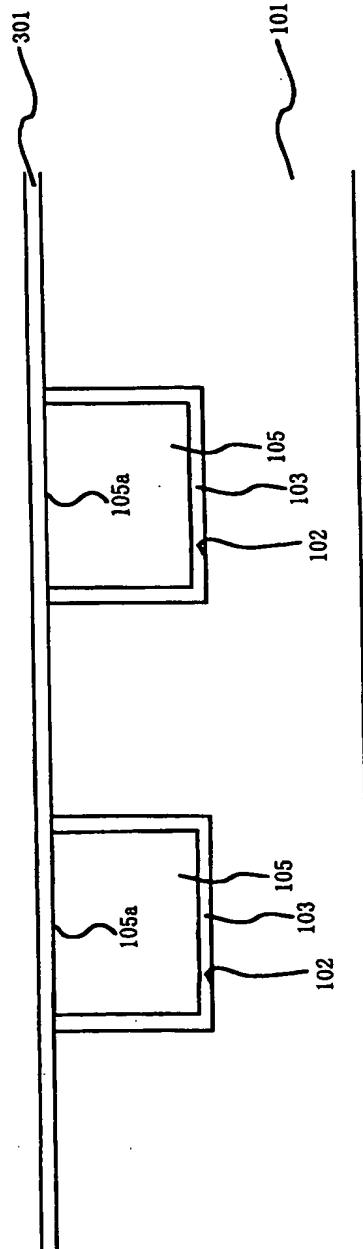
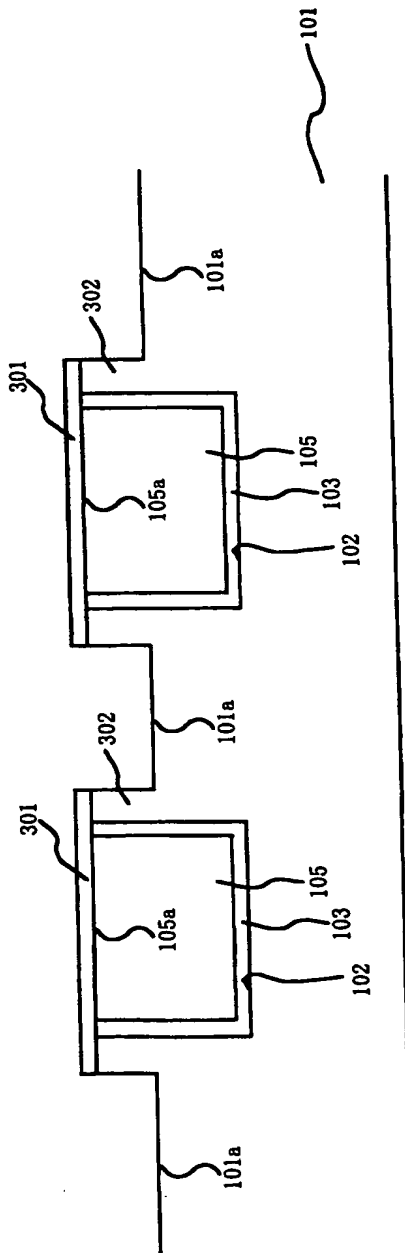


FIG. 14



WIRING STRUCTURE OF SEMICONDUCTOR DEVICE AND METHOD
OF MANUFACTURING THE SAME

Application No. [NEW] - Attorney Docket No. OKI.612

Inventor: Kazuhide ABE

F-03ED0103

FIG. 15

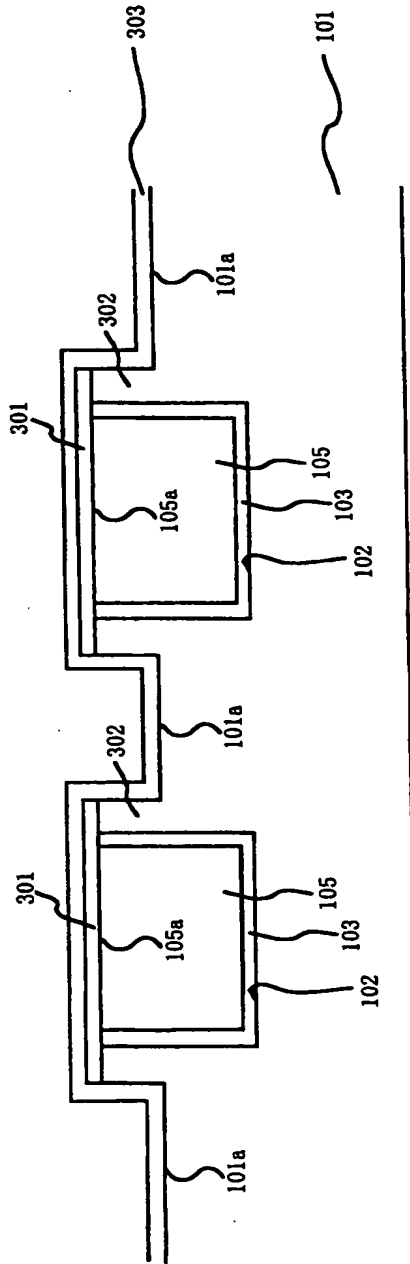
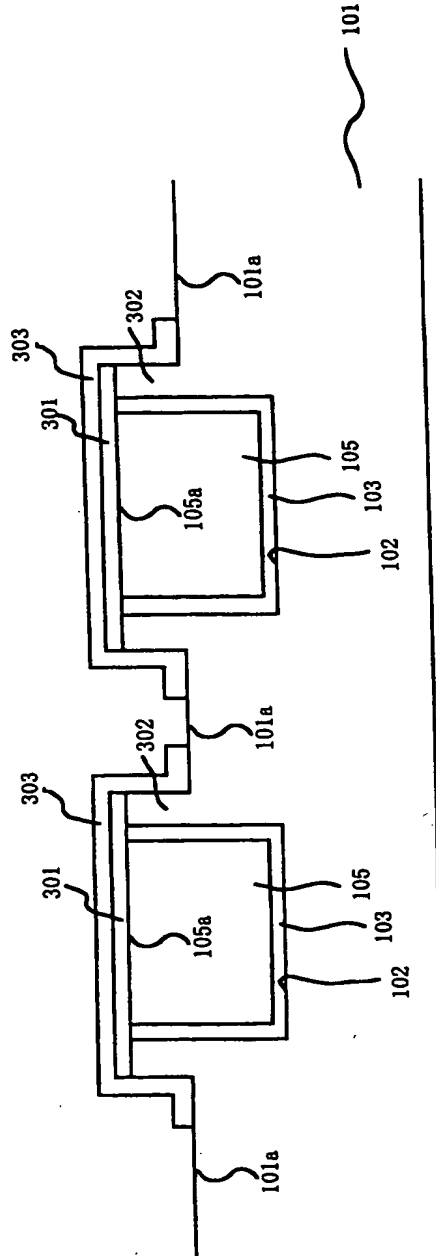


FIG. 16

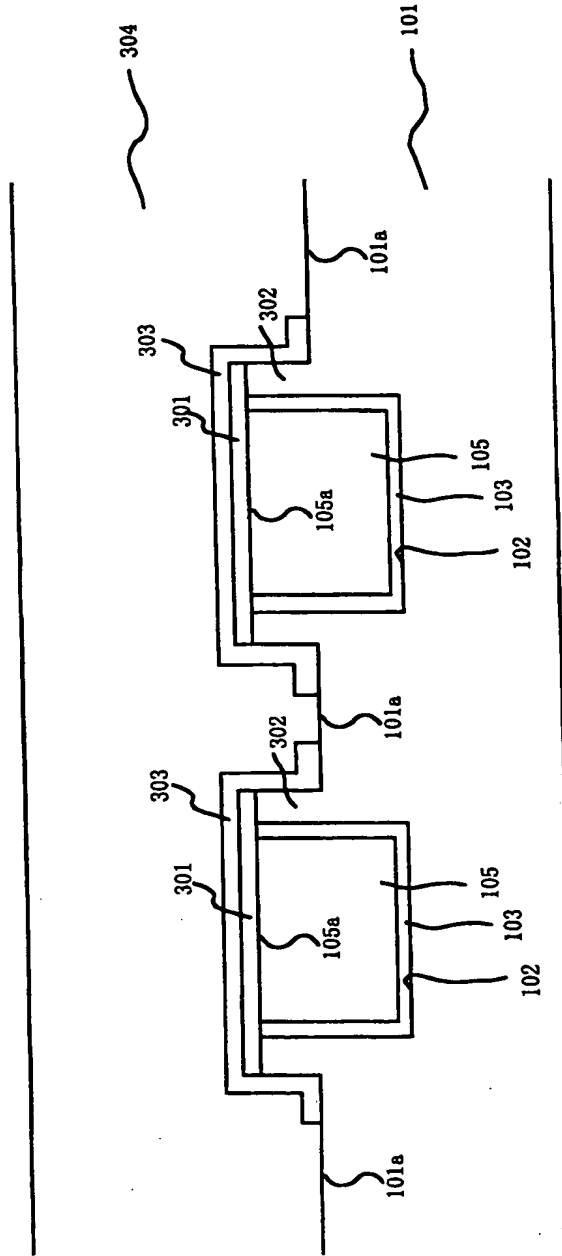


WIRING STRUCTURE OF SEMICONDUCTOR DEVICE AND METHOD
OF MANUFACTURING THE SAME

Application No. [NEW] - Attorney Docket No. OKI.612
Inventor: Kazuhide ABE

F-03ED0103

FIG. 17



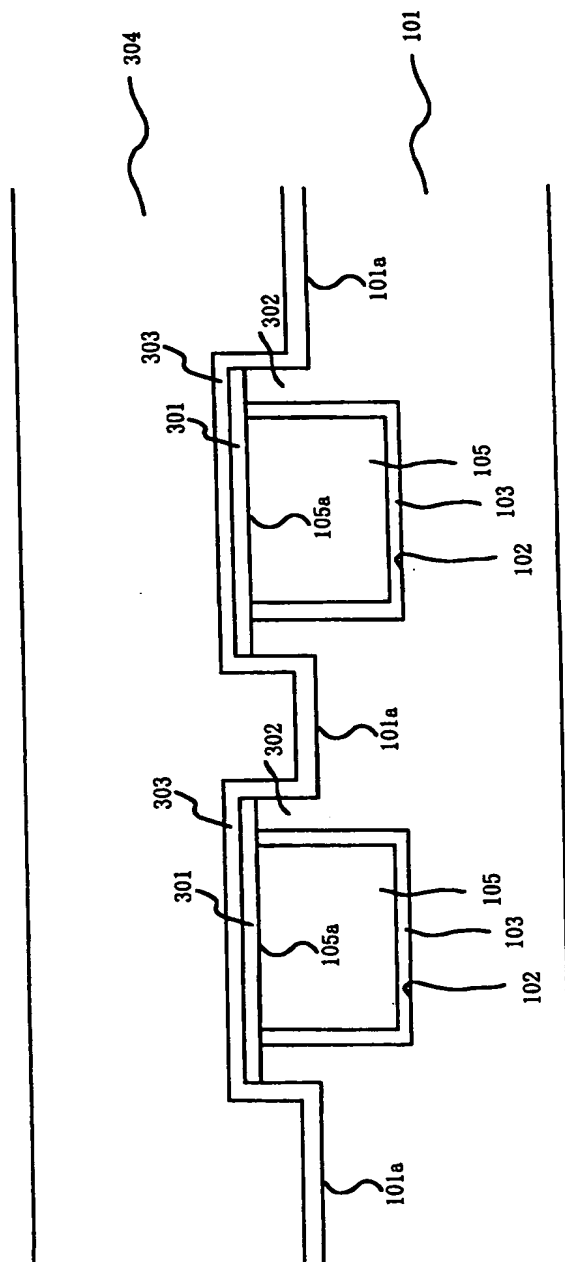
WIRING STRUCTURE OF SEMICONDUCTOR DEVICE AND METHOD
OF MANUFACTURING THE SAME

Application No. [NEW] - Attorney Docket No. OKI.612

Inventor: Kazuhide ABE

F-03ED0103

FIG. 18



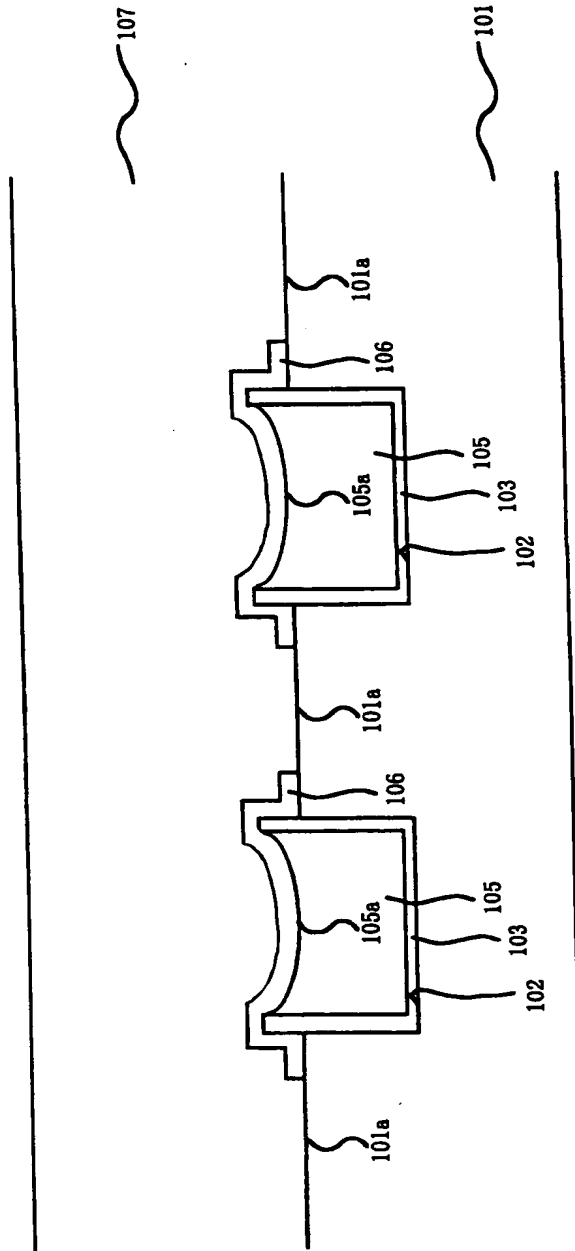
WIRING STRUCTURE OF SEMICONDUCTOR DEVICE AND METHOD
OF MANUFACTURING THE SAME

Application No. [NEW] - Attorney Docket No. OKI.612

Inventor: Kazuhide ABE

F-03ED0103

FIG. 19



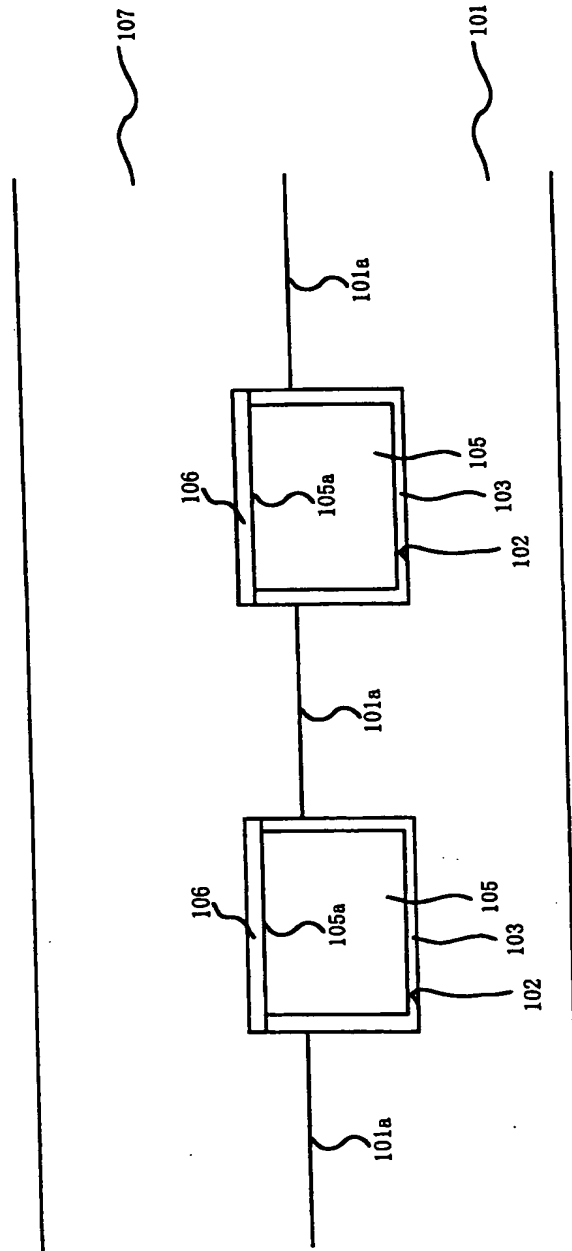
WIRING STRUCTURE OF SEMICONDUCTOR DEVICE AND METHOD
OF MANUFACTURING THE SAME

Application No. [NEW] - Attorney Docket No. OKI.612

Inventor: Kazuhide ABE

F-03ED0103

FIG. 20



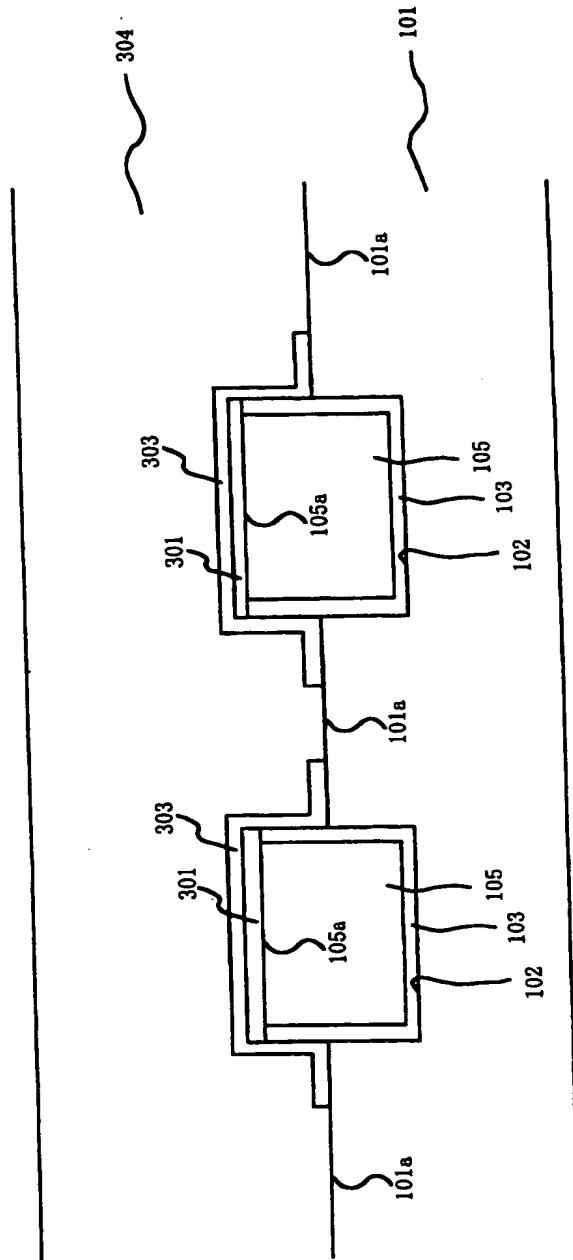
WIRING STRUCTURE OF SEMICONDUCTOR DEVICE AND METHOD
OF MANUFACTURING THE SAME

Application No. [NEW] - Attorney Docket No. OKI.612

Inventor: Kazuhide ABE

F-03ED0103

FIG. 21



WIRING STRUCTURE OF SEMICONDUCTOR DEVICE AND METHOD
OF MANUFACTURING THE SAME

Application No. [NEW] - Attorney Docket No. OKI.612

Inventor: Kazuhide ABE

F-03ED0103

FIG. 22

